

Installation Instructions for Model RGE400 Refrigerator Direct Vent Kit # 3108708.540

Important: These Installation Instructions are only for the RGE400 freestanding refrigerator. This Direct Vent Kit is not intended for use with any other model or brand name unit. The use of this kit in any other manner or construction than described herein is strictly prohibited by the Dometic Corporation.

Tools Required:
 Flat Blade Screwdriver
 Power Drill
 Pencil
 2" Hole Saw
 Scissors
 Phillips Screw Driver
 Stubby Phillips Screw Driver

⚠ WARNING

These instructions must be read and understood before installation of this kit. This kit must be installed by a Dometic Service Center or a qualified service technician. Modification of this product can be extremely hazardous and could result in personal injury or property damage.

This Kit Contains:		3108709.050	(2) Internal Trim Plate
3108708.557	(1) 5' Aluminum Primary Intake Assembly with Welded Wall Flange	3108708.631	(2) 1-1/2" Worm Type Hose Clamp
3108708.565	(1) 3.5' Aluminum Combustion Exhaust Assembly with Welded Wall Flange	3108708.599	(1) Flue Coupler
3108708.573	(1) Aluminum Replacement Burner/Combustion Housing Cover	3108708.607	(1) Flue Gasket, Burner Housing
3108708.581	(2) 1/4" Mesh Rodent Infiltration Screens	3108708.615	(16) #8 x 3/4" Slotted Panhead Screws
2923034009	(2) Decorative Plastic Exhaust and Intake Covers	3108708.623	(1) 2" x 18" Cut Length of Aluminum Foil Tape
		3108709.068	(1) 3 oz. Tube High Temperature Silicone
		3108709.076	(1) Glass Piece, 1.5" x 1.5" x .005"
		3108954.011	(1) Installation Instructions

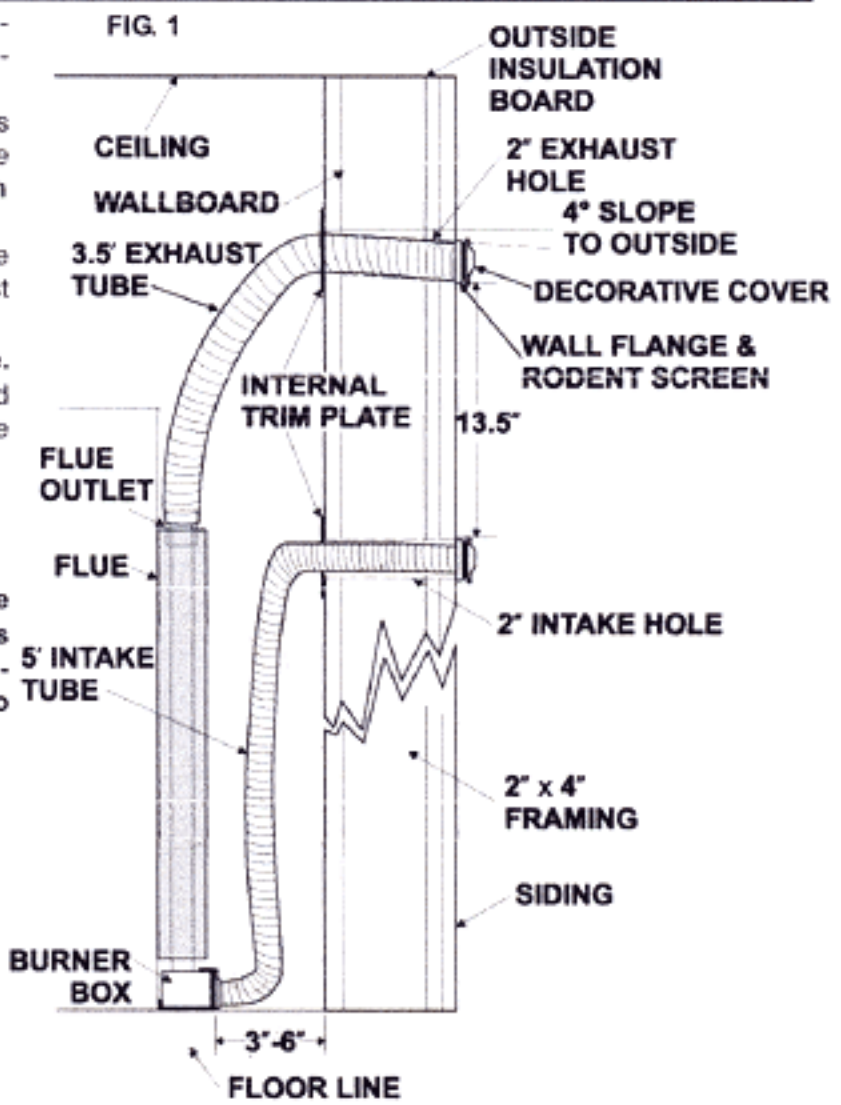
- Position the RGE 400 refrigerator at the desired location with the flue on the back of the refrigerator approximately 3-6 inches from wall.
- Mark the intended location of Intake and Exhaust holes on the wall, using FIG. 1 as a guide. The Exhaust tube hole is drilled directly above the flue outlet and as high as the 3.5' Exhaust tube will allow, leaving enough to connect to the wall flange on outside of wall. Intake hole is to be located 13.5" directly under location of Exhaust tube.

Important: Be sure to use all 3.5 feet of Exhaust tube.
 Both holes will pass completely through the interior and exterior surfaces. The drill should only pass through the free insulated area between the 2x4's.

- Move the refrigerator away from the wall and drill Exhaust tube hole first. See FIG. 1. Remember that all 3.5 feet of the aluminum Exhaust tube is to be used.

Important: The hole should be sloped to the outside at a 4 degree angle. This slope is very important and is a building code requirement. It allows for any condensation that might form on the Exhaust tube to drain to the outside.

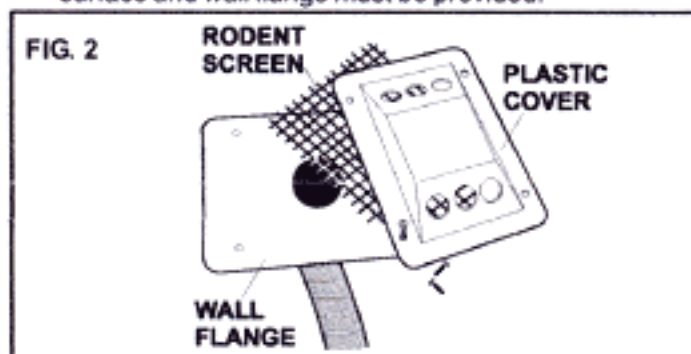
- Next, drill the Intake tube hole. See FIG. 1.
- Important: Be sure to use all 5 feet of intake tube.**



INSTRUCTIONS

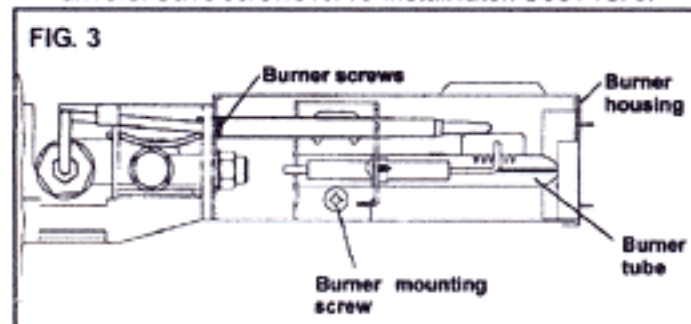
OUTSIDE

1. Remove the contents of the carton and match the parts list provided here to the parts in the carton to make sure that all parts are enclosed.
2. From the outside of the building, run the primary intake tube through the lower 2" hole that has been drilled in Step 4, Page 1.
3. While still outside, run the Exhaust tube through the 2" hole at the top of the wall predrilled in Step 3, Page 1.
4. Using eight (8) #8 x 3/4" slotted panhead screws provided, secure the outside wall flanges, the rodent screens, and decorative plastic covers to the exterior wall surface. See FIG. 2. A seal between exterior wall surface and wall flange must be provided.



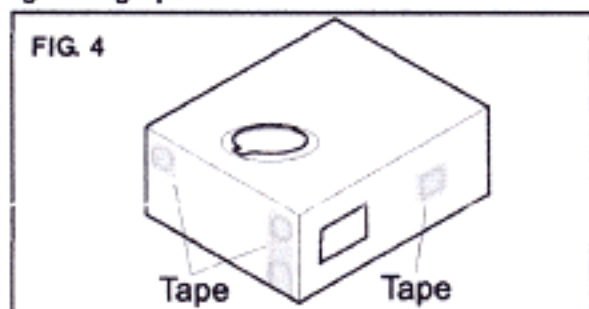
INSIDE

5. Remove burner cover, clamping lever, burner and burner housing from gas assembly using the two Phillips screw drivers. Save screws for re-install later. See FIG. 3.

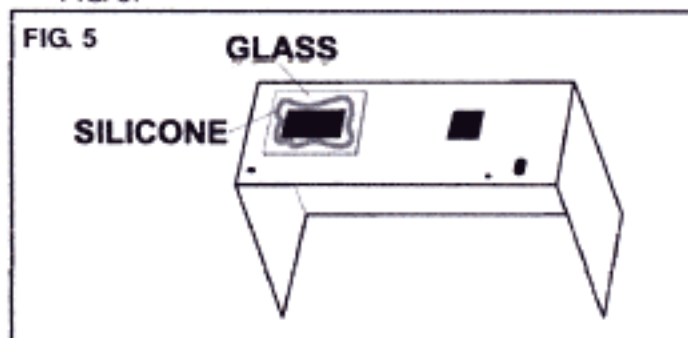


6. Using the tape provided, seal holes in burner housing as shown in FIG. 4. Seal from outside burner housing.

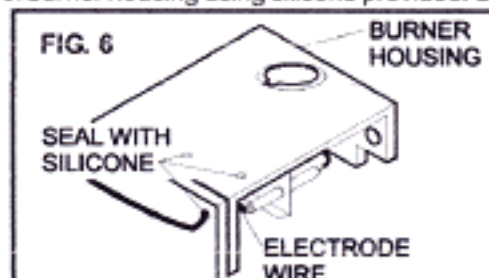
Important: All burner housing joints and openings must be sealed to prevent carbon monoxide from escaping during operation.



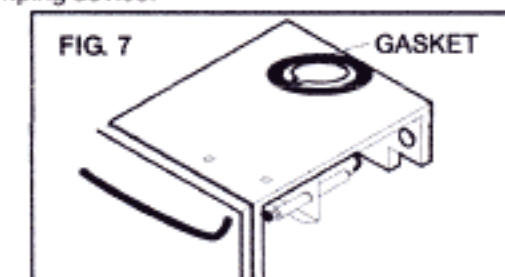
7. Seal the sight glass hole in the burner housing using the piece of glass and high temperature silicone provided. Put a small bead around the outside edge of the hole. Place glass over hole. Allow silicone to cure. See FIG. 5.



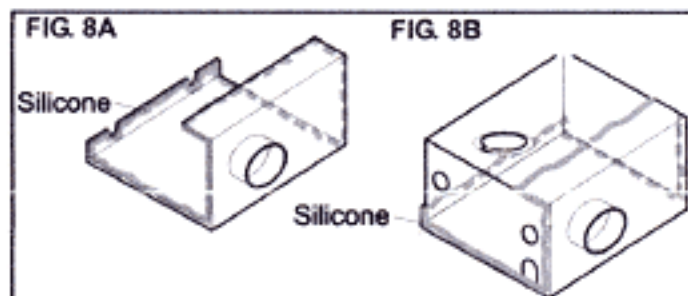
8. Re-install burner in burner housing. Attach burner housing to gas equipment. Do not secure burner housing to flue at this time.
9. After electrode wire has been put back in position, seal area around hole in burner housing where wire goes through with silicone. Also seal the two small holes on top of burner housing using silicone provided. See FIG. 6.



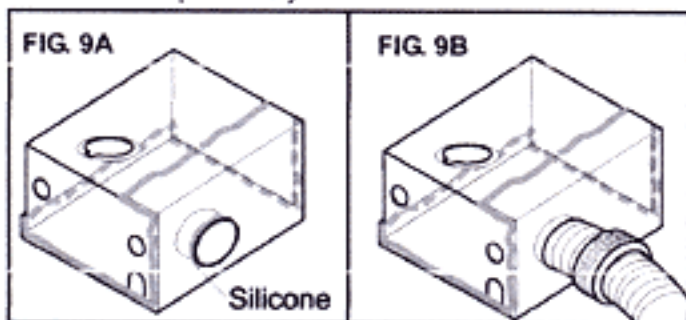
10. Place flue gasket in position over hole in burner housing. See FIG. 7. Attach burner housing to flue using the clamping device.



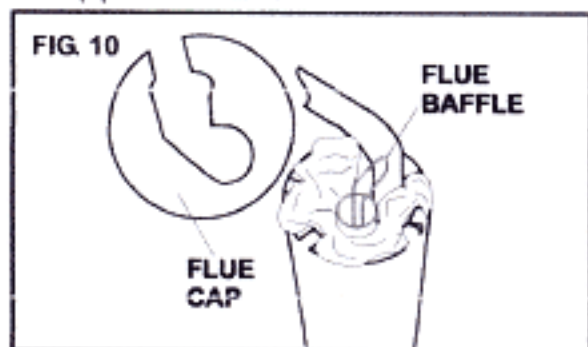
11. Apply a generous bead of high temperature silicone on all joints of the new burner housing cover. See FIG. 8A. Install the new cover. Make sure the back edge of cover snaps in place over the back wall of the burner housing. See FIG. 8B. Secure with screw from original cover. Apply and smooth another bead of high temperature silicone over all burner housing/cover joints. See FIG. 8A & 8B.



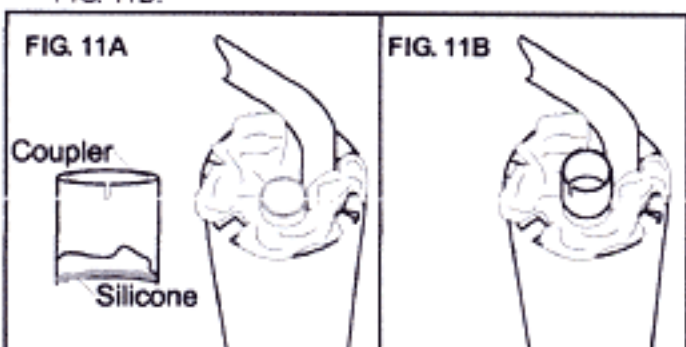
- Slide the interior trim plates over the Exhaust and Intake tubes. Secure to the wall with eight (8) #8 x 3/4" slotted panhead screws provided. See FIG. 1.
- Apply a bead of silicone around Intake tube on burner cover. See FIG. 9A. Slide one (1) hose clamp over the loose end of Intake tube. See FIG. 9B. Slide Intake tube onto Intake tube flange so that tube rests all the way against the new burner box cover. See FIG. 9B. Tighten hose clamp securely.



- Remove and discard the flue cap at the top of the insulation pipe. See FIG. 10.



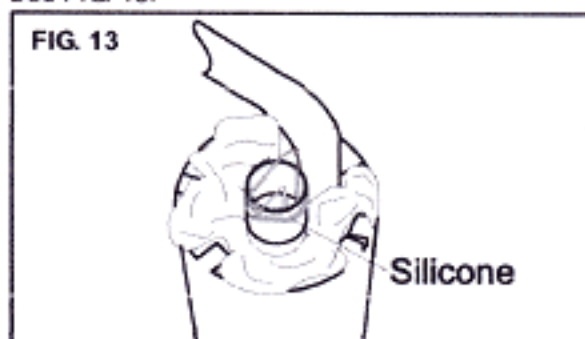
- Remove baffle from flue tube. See FIG. 10.
- Apply high temperature silicone to the inside of the flue coupler. See FIG. 11A. Slide coupler over flue tube. See FIG. 11B.



- Re-insert flue baffle, allowing retainer loop to rest inside flue coupler notch. See FIG. 12.

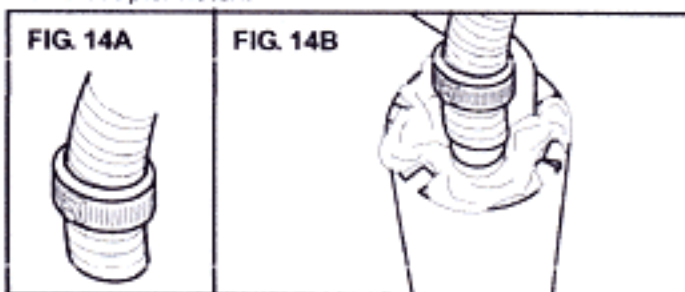


- Apply a generous supply of silicone to the outside surface of the flue coupler and to the flue coupler notch. See FIG. 13.

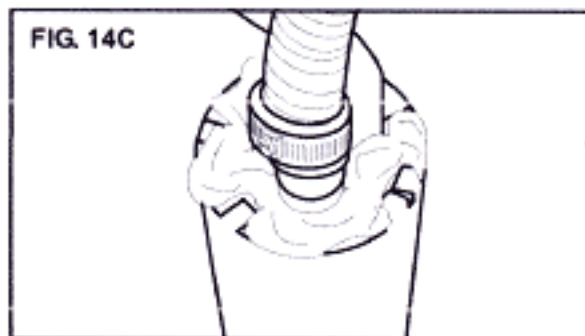


- Slide one (1) hose clamp over Exhaust tube. See FIG. 14A.
- Slide Exhaust tube over flue coupler and silicone. See FIG. 14B.

Note: It may be necessary to reconfigure the baffle retainer loop to allow the Exhaust tube to slide over the flue coupler. This is a tight fit. Make sure the baffle retainer loop rests inside coupler notch.



- Tighten hose clamp securely over flue coupler. See FIG. 14C.



- Re-position the refrigerator 3"-6" from the wall as stated in item 1, Page 1 of instructions.
- Make sure exhaust tube does not touch the wall in the first 18 inches above the flue coupler connections.
- This completes the Direct Vent Kit installation. Allow silicone to cure for a period of one (1) hour before connecting to gas.
- Connect the gas line to the refrigerator using the installation manual provided with refrigerator.