

When ordering spare parts

Always state:

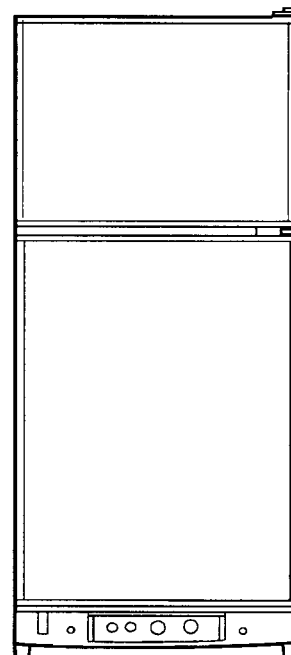
Model - Quantity - Part Number - Description

For electric details also:

Voltage - Wattage

Delete spaces and slashes in the part numbers

Add 0 to part numbers with less than ten digits



Product number	Model	Voltage V	Color	Market
9211720-08	RGE400	120	WHITE	US,CA
9211720-10	RGE400	120	ALMOND	US,CA

USA
Service Office
The Dometic Corporation
509 South Poplar St
La Grange, IN 46761
219-463-4858

CANADA
Dometic Distribution Inc
866 Langs Drive
Cambridge, Ontario
N3H 2N7
519-653-4390

For service center assistance call:
800-544-4881

Refrigerators **RGE400**

©1997 The Dometic Corp.
LAGRANGE, IN 46761

599 25 90-94/2

ALPHABETICAL INDEX

	Page	POS. NO
Cabinet, exterior components	6-7	1-84
Cabinet, interior components	8	1-47
Cabinet, rear view	9	100-119
Control & Burner components	10-11	1-90
Door Asm	4-5	1-20
Wiring Diagram	12	--
		259094T1

SPECIFICATIONS

PRODUCT NO.*	921172008 921172010
Energy Source **	120VAC/GAS
AC Heating Element	
Watts	325
Ohms	44
Amperage	2.7
BTU's Gas Burner	1500
Jet Size	#58
Baffle	
Size	5-1/4" x 3/4"
Position Above Burner	1-7/8"
Ice Trays	1
Crisper	2
Bottle Holders	1

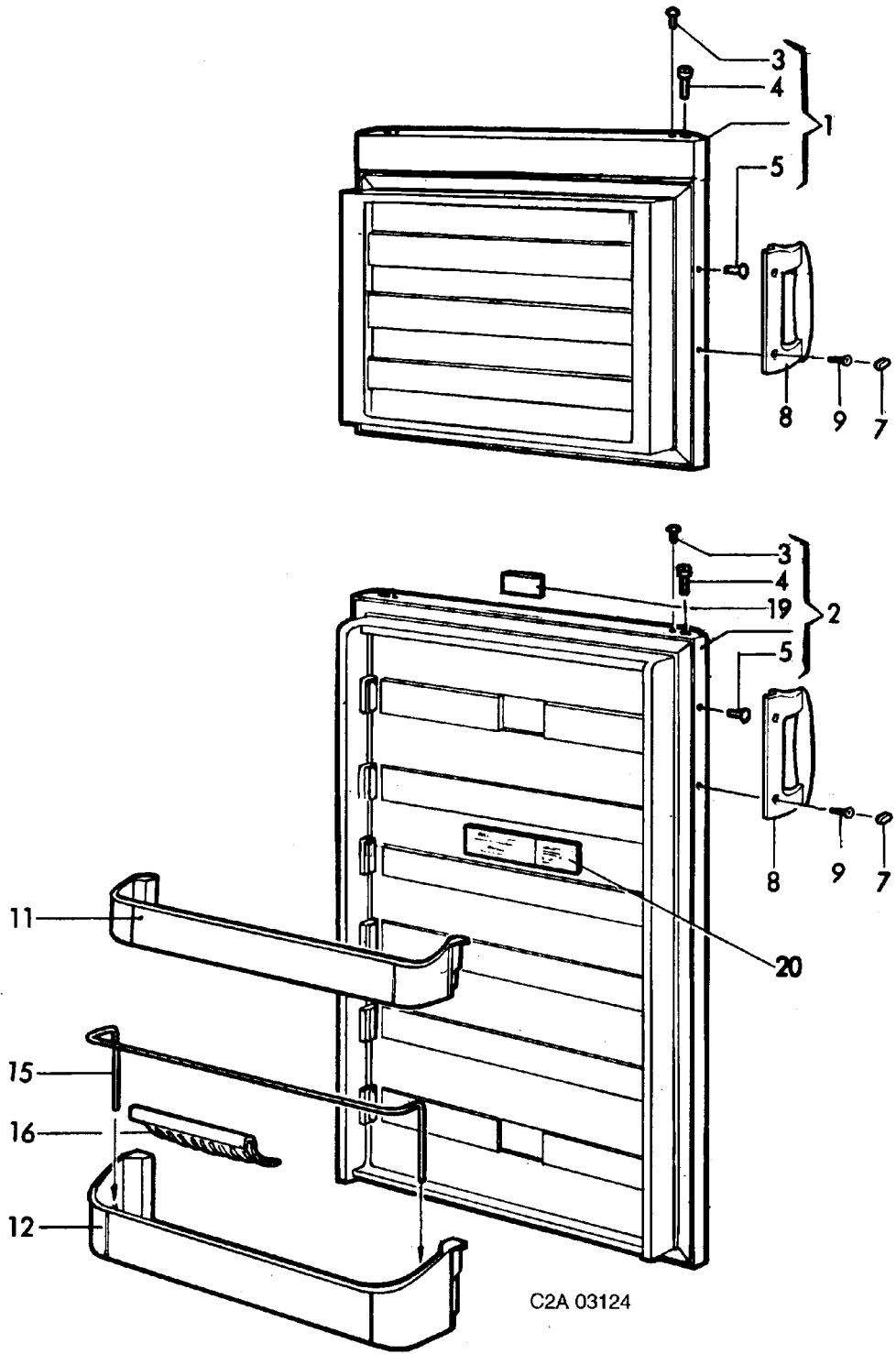
NOTE:

Interior Light requires four (4) D-size (1.5V) batteries.

* Product number located on refrigerator data plate.

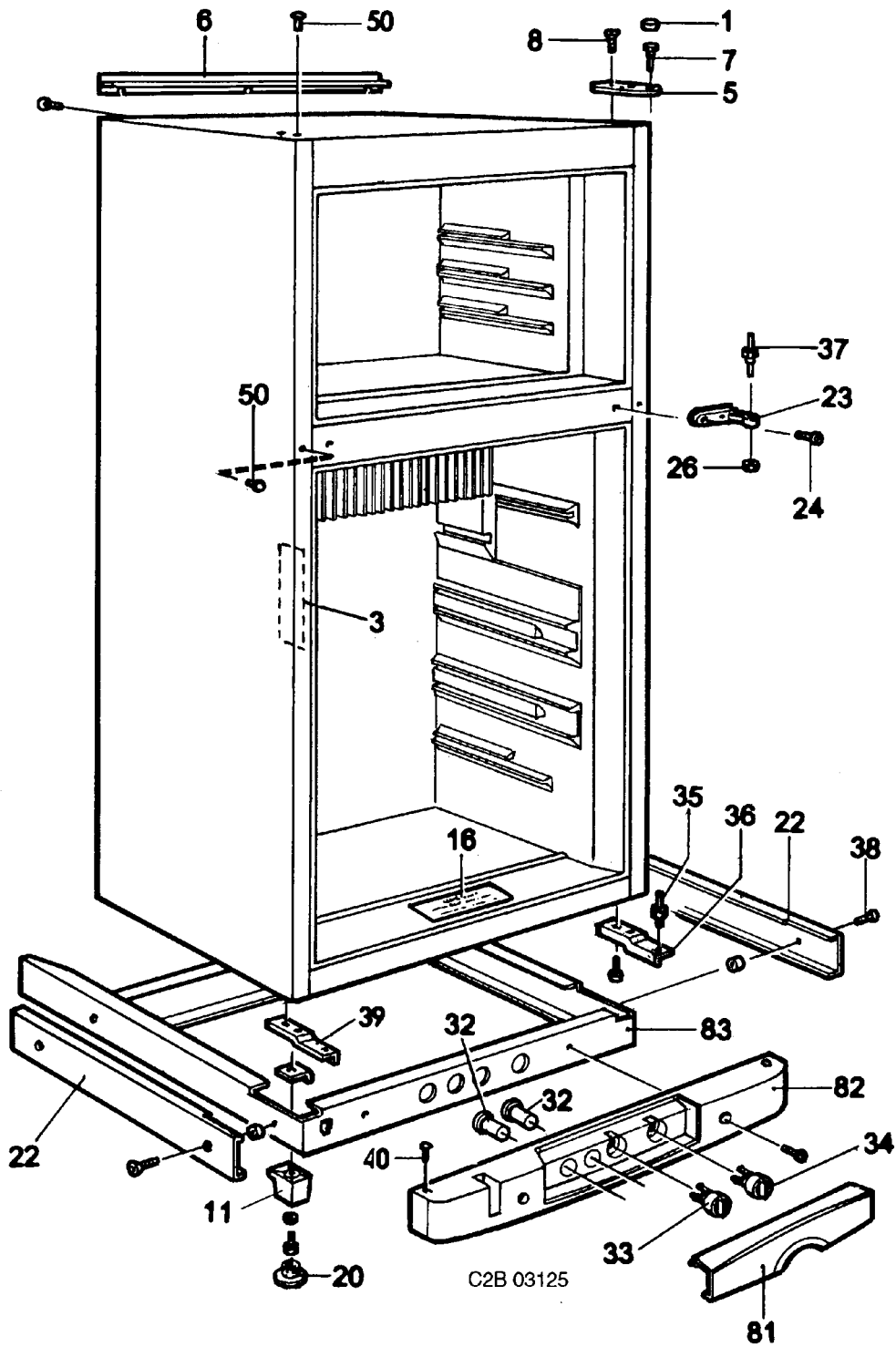
258967T2

** 12 volt DC power is required to operate the refrigerator controls on all models.



A = RGE400 (921 17 20-08)
B = RGE400 (921 17 20-10)

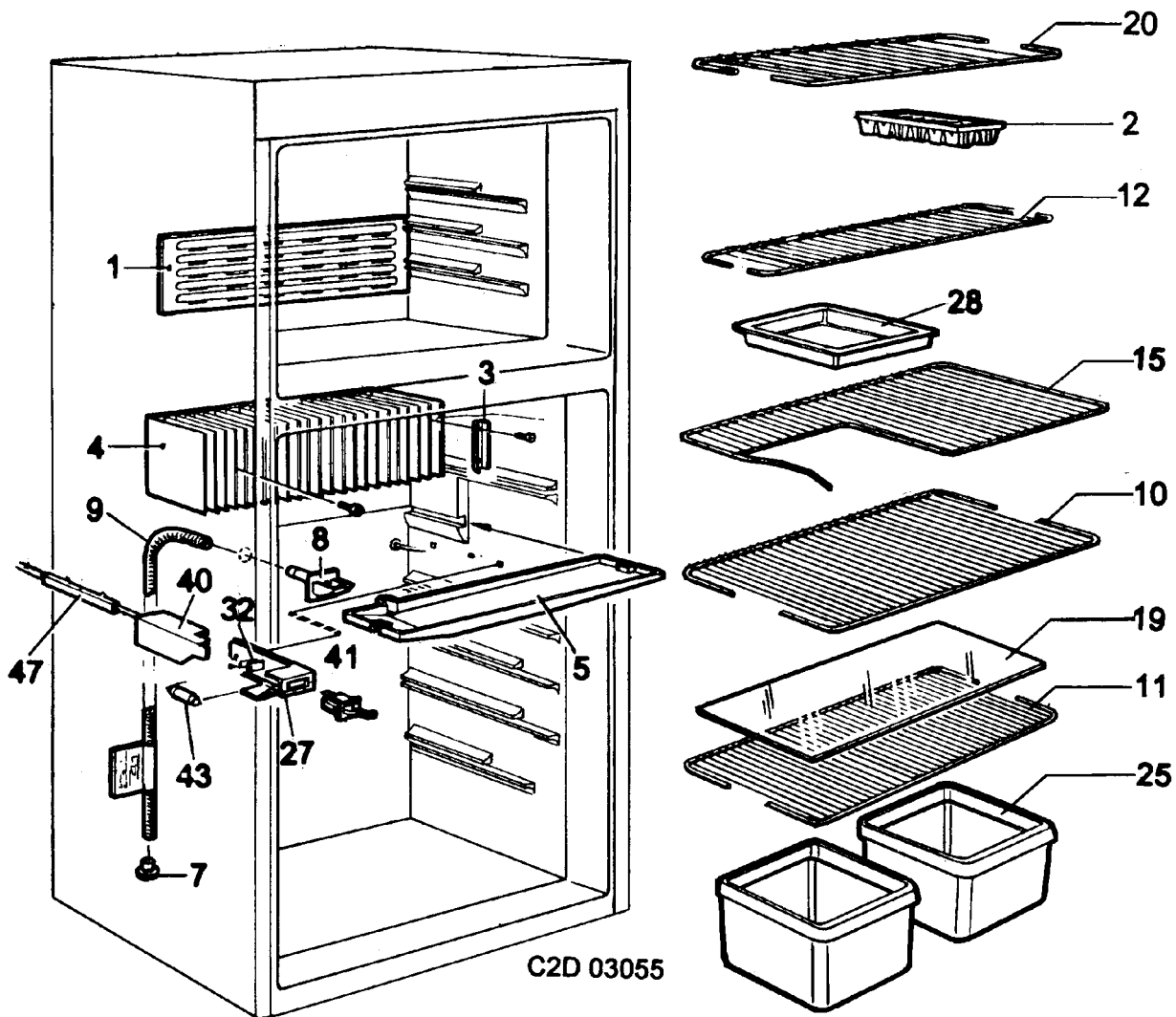
POS. NO	PART NO		DESCRIPTION
1	293 28 03-12/1	A -	Door freezer,white,assy
	293 28 03-13/9	- B	Door freezer,beige,assy
2	293 28 05-09/2	A -	Door refrigerator,white,assy
	293 28 05-10/0	- B	Door refrigerator,beige,assy
3	205 96 19-01/1	A -	* Plug,white
	205 96 19-03/7	- B	* Plug,greys
4	205 93 42-01/0	A -	* Hinge bushing,white
	205 93 42-03/6	- B	* Hinge bushing,greys
5	205 74 93-01/3	A -	* Plug,white
	205 74 93-03/9	- B	* Plug,greys
7	223 00 30-01/3	A -	Plug,white
	223 00 30-06/2	- B	Plug,greys
8	205 82 83-11/6	A -	Handle,white
	205 82 83-12/4	- B	Handle,greys
9	205 82 88-01/6	A B	Screw
11	293 25 76-01/6	A B	Shelf door-
12	293 25 75-01/8	A B	Shelf door-
15	293 25 85-03/3	A B	Rack
16	293 26 58-01/2	A B	Holder bottle-
19	293 13 07-01/7	A B	Sign plate
20	293 29 37-00/2	A B	Label



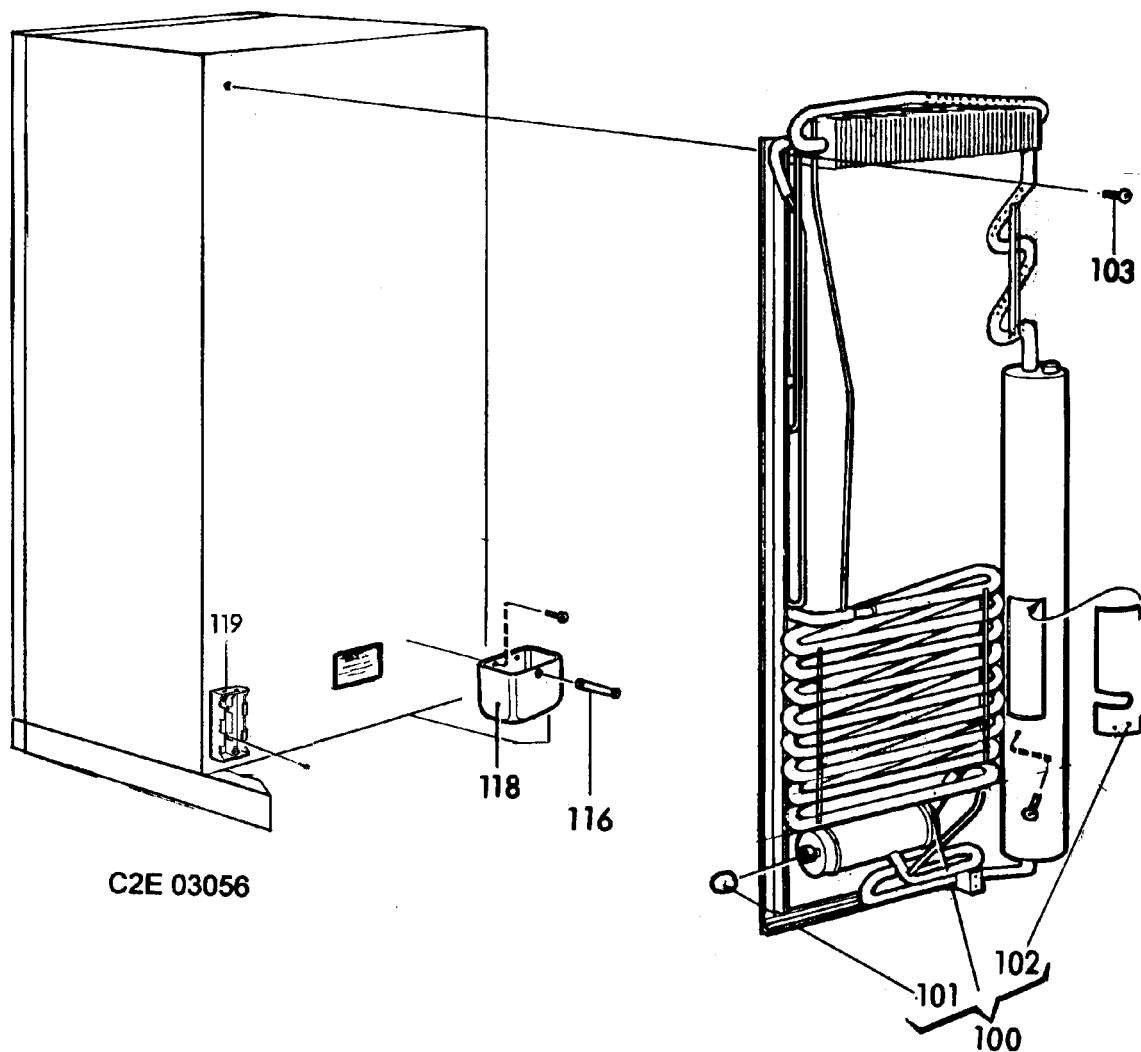
A = RGE400 (921 17 20-08)

B = RGE400 (921 17 20-10)

POS. NO	PART NO		DESCRIPTION
1	293 27 36-06/5	A B	Plug,white
3	293 29 40-00/6	A B	Label
5	293 27 87-05/0	A -	Hinge,white,upper
	293 27 87-11/8	- B	Hinge,beige,upper
6	293 28 01-05/9	A -	Protection bar,white
	293 28 01-11/7	- B	Protection bar,beige
7	293 27 90-01/3	A B	Hinge pin,upper
8	724 33 27-61/1	A B	Screw,MFX,M5x12,zincplated
11	200 40 03-00/6	A B	Foot
16	293 29 34-00/9	A B	Sign plate
20	200 25 99-00/5	A B	Screw
22	293 27 95-05/3	A -	Plate cover-,white
	293 27 95-11/1	- B	Plate cover-,beige
23	293 27 88-05/8	A -	Hinge,middle
	293 27 88-11/6	- B	Hinge,middle
24	724 13 31-01/1	A B	Screw,MRX,M5x20,zincplated
26	294 07 15-01/0	A B	Nut,white
32	200 74 79-07/0	A -	Push button,white
	200 74 79-08/8	- B	Push button,grey
33	200 74 80-32/6	A -	Knob thermostat,assy
	200 74 80-41/7	- B	Knob thermostat,assy
34	200 74 80-35/9	A -	Knob,assy
	200 74 80-42/5	- B	Knob,assy
35	293 27 92-01/9	A B	Hinge pin,lower
36	293 27 89-02/3	A B	Hinge,lower
37	293 27 91-01/1	A B	Hinge pin,middle
38	729 64 15-01/6	A B	Screw,fxs,B10x22,zincplated
39	293 27 89-01/5	A B	Hinge,lower,left
40	391 83 67-01/6	A B	Screw,MRX,6x12
50	293 23 73-01/8	A -	Plug,white
	293 23 73-02/6	- B	Plug,beige
81	293 27 83-01/8	A B	Flap
82	293 27 82-09/3	A -	Base front,white
	293 27 82-10/1	- B	Base front,grey
83	293 28 36-01/4	A B	Base
Not shown			
84	293 23 72-01/0	A -	Door reversing kit, white,right-left FROM SERIAL NO.717xxxxx inclusive
	293 23 72-02/8	- B	Door reversing kit,beige,right-left FROM SERIAL NO.717xxxxx inclusive

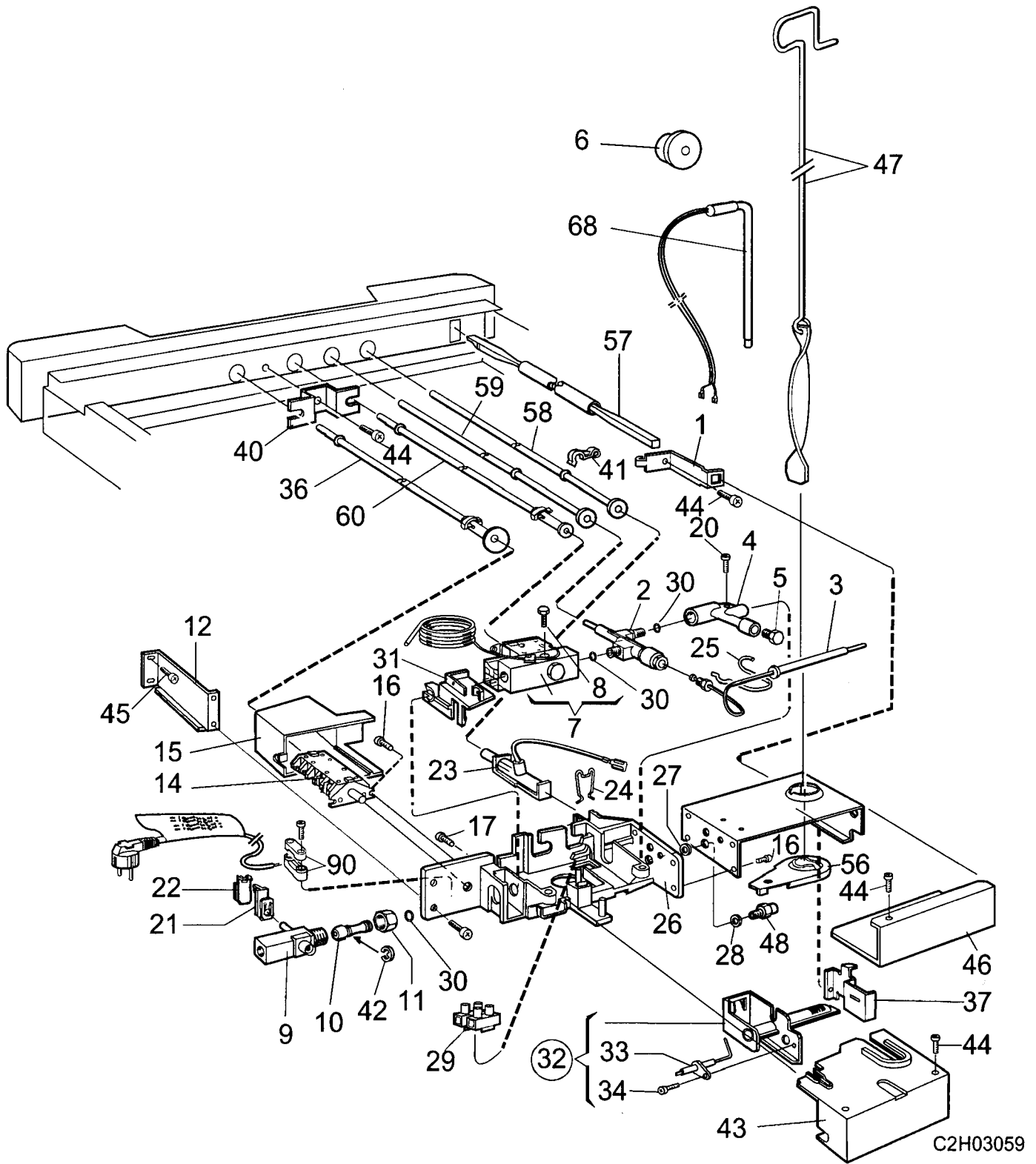


POS. NO	PART NO	DESCRIPTION
1	293 27 28-01/3	Coverplate
2	293 04 00-00/3	Ice tray
3	289 00 50-00/4	Clamp
4	293 26 30-02/9	Cooling flange
5	293 26 24-01/4	Drip protection
7	293 21 15-01/3	Plug
8	293 26 35-01/0	Drain
9	293 27 49-05/0	Hose
10	293 26 25-02/9	Shelf
11	293 26 25-04/5	Shelf
12	293 26 25-08/6	Shelf
15	293 26 26-02/7	Shelf
19	293 11 17-08/5	Shelf, plastic
20	293 26 27-02/5	Shelf, freezer
25	293 26 21-01/0	Box vegetable-
27	293 25 23-01/8	Lamp socket
28	293 26 36-01/8	Box
32	293 21 08-01/8	Contact pin
40	293 21 06-01/2	Lamp cover
41	293 26 65-01/7	Switch
43	200 72 90-02/2	Lamp, 6V
47	200 40 56-04/6	Cover



C2E 03056

POS. NO	PART NO	DESCRIPTION
100	293 48 07-09/6	Cooling unit,807,assy
101	17 32 28-00/8	* Cap
102	293 35 57-00/7	* Cover
103	729 52 79-01/7	Screw,RXS,B6x10,zincplated
116	293 18 29-01/0	Outlet tube
118	293 18 28-01/2	Tray
119	293 28 49-01/7	Battery retainer



POS. NO	PART NO	DESCRIPTION
1	200 76 48-00/5	Retainer
2	293 16 57-01/5	Valve safety-
3	293 14 96-04/2	Couple thermo
4	200 75 18-00/0	Coupling
5	16 93 80-00/3	Screw
6	200 23 01-00/6	Plug
7	200 71 99-04/1	Thermostat
8	17 28 19-02/1	* By-pass screw,s17
9	200 74 30-00/8	Valve gas-
10	200 74 29-00/0	Nipple
11	17 28 09-00/6	Nut
12	293 27 96-02/8	Bracket
14	200 74 32-00/4	Switch
15	200 74 39-00/9	Cover
16	14 07 30-01/1	Screw,RXK,B6x9,5,zincplated
17	724 12 87-61/9	Screw,m4x8,zincplated
20	729 52 85-40/2	Screw,RXS,B6x19,stainless
21	200 75 77-01/4	Spring
22	200 75 78-00/4	Spring
23	200 74 23-00/3	Lighter piezo-
24	200 74 24-00/1	Retainer
25	200 74 25-00/8	Spring
26	200 74 10-00/0	Retainer
27	734 49 15-10/8	Washer
28	200 74 57-00/1	Washer
29	762 72 02-56/2	Terminal block
30	14 07 48-00/5	Sealing ring
31	200 74 28-00/2	Snapper
32	200 75 03-03/6	Burner
33	293 03 79-00/9	* Electrode
34	729 52 21-01/9	* Screw,RXS,B4x6,5,zincplated
36	200 74 75-04/5	Shaft
37	200 76 51-01/7	Guiding device
40	200 75 67-00/7	Support plate
41	200 51 12-00/4	Clamp
42	735 31 13-21/5	E-ring,zincplated
43	200 74 40-00/7	Cover
44	729 52 79-01/7	Screw,RXS,B6x10,zincplated
45	724 12 89-61/5	Screw,MRX,M4x10,zincplated
46	200 75 05-00/7	Cover
47	293 26 67-04/7	Baffle
48	200 74 19-21/7	Jet,no 58
56	200 74 58-01/7	Washer Interlocking-
57	293 27 97-01/8	Light conductor
58	200 74 68-11/5	Switch bar
59	200 74 68-09/9	Switch bar
60	200 74 71-04/4	Shaft
68	17 37 42-27/1	Heater,325w,120V
90	56 10 14-01/0	Anti-strain clip

