

Roll-up Shade

This example is for a 6' x 6' shade. Materials can be varied to construct shades 6' high and of any desired width or 6' wide and any height.

Tools:

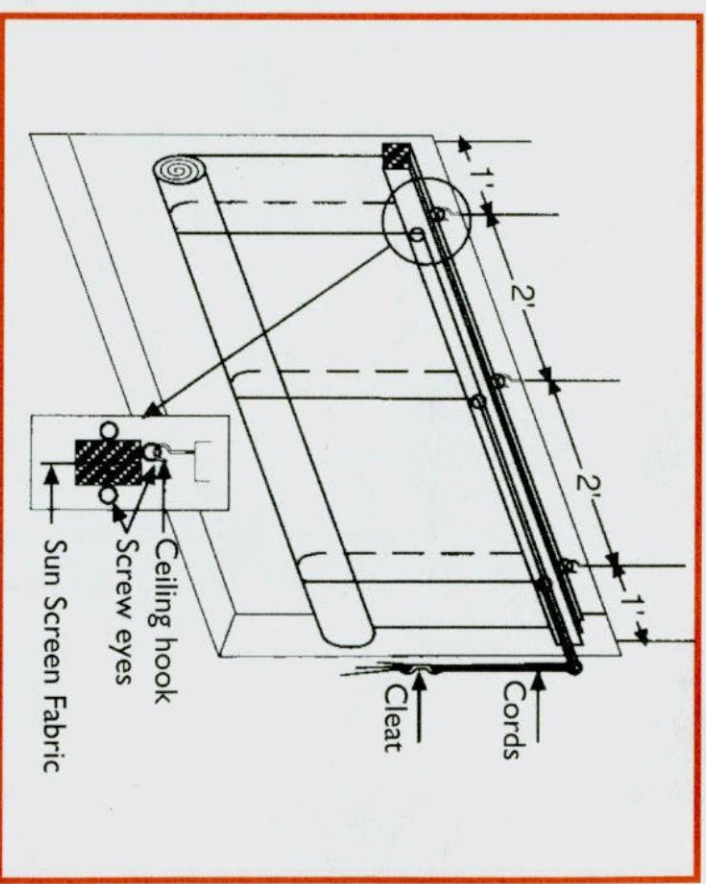
- Hammer
- Wood saw
- Measuring tape
- Screwdriver
- Scissors

Materials:

- One 6' x 6' piece **Sun Screen Fabric**
- Two 1" x 2" x 8' wood furring strips for top
- Two 1" x 8' wood half-rounds for bottom
- One-half pound 1 1/4" galvanized drywall nails
- Ten #10 screw eyes
- Three #8 ceiling hooks
- One rope cleat
- 50' of 1/8" braided nylon cord.

Instructions:

1. Cut furring strips and half-rounds to 6' lengths.
2. Sandwich one cut edge of **Sun Screen Fabric** between the two furring strips and nail the strips together. Repeat with the half-rounds on the opposite cut edge.
3. Insert screw eyes into laths as shown on the sketch.
4. Tie the nylon cord to one screw eye. Pass it under shade and up through opposite screw eye. Leave sufficient cord to pass to side of shade as shown.
5. Hang shade from ceiling hooks.
6. Locate remaining screw eye to side of top rail of shade.
7. Place cleat at convenient position to hold cords.



Visillo Enrollable

Este ejemplo es para un visillo de 6' x 6'. Se puede variar los materiales para construir visillos de 6' de altura y de cualquier anchura deseada, o de 6' de anchura y cualquier altura.