



## GASKET KIT INSTALLATION INSTRUCTIONS

This Kit is designed to allow field replacement of door gaskets that are formed into the door during the assembly process. If the installer of this Kit is unfamiliar with this product, Dometic recommends that this Kit is installed by a Qualified Service Center or a refrigeration technician.

**Important:** If installing this Gasket Kit on a door that contains a Hinge Repair Kit, the Hinge Plate on door must be removed to remove existing Gasket and when installing new Gasket. If installing this Gasket Kit in conjunction with a new Hinge Kit, install Gasket Kit prior to installing Hinge Kit.

SINGLE DOOR MODELS		DOUBLE DOOR MODELS	
Kit #	Model #	Kit #	Model #
3103689.000	RM360, RM361, RM2300, RM2301	3103688.002	RM760, RM761, RM763, RM2600, RM2601, RM2602, RM2603, RM3600, RM3601
3103691.006	RM460, RM461, RM2400, RM2401, RB2405	3103690.008	RM1300, RM1301, RA1302, RM1303, RM2800, RM2801, RM2802, RM2803, RM3800, RM3801, RM4801
3103692.004	RM660, RM661, RM2500, RM2501, RM3500, RM3501	3108700.000	RM2604, RM2610, RM2607, RM3604, RM3607
3108708.367	RM2310	3108700.018	RM2804, RM2810, RM2807, RM3804, RM3807, RM4804
3108708.375	RM2410	3108704.250	RM2611, RM2612
3108708.383	RM2510	3108710.900	RM2620
3108708.391	RM2452, RM2453	3108704.268	RM2811, RM2812
3108708.409	RM2551, RM2552, RM2553, RM2554	3108710.918	RM2820
3108708.417	S520, S530	3108704.242	RM7030, RM7130
<p><b>All kits include:</b>            1 roll double stick tape            1 tube silicone sealer            1 instruction sheet</p> <p><b>Single door kits include:</b>            1 door gasket</p> <p><b>Double door kits include:</b>            1 freezer door gasket            1 refrigerator door gasket  <b>*Note:</b> RGE400 individual gaskets.</p>		3108704.374	RM2652, RM3662, RM3663
<p><b>Tools required:</b>            phillips screwdriver            small adjustable wrench            razor knife            scissors</p>		3108704.382	RM2852, RM3862, RM3863, RM4872, RM4873
		3108704.390	RM7732, RM7832
		3108708.441	NDR1062
		3108708.458	RM1272, NDR1272, RM1282, NDR1282
		3108708.466	NDR1292
		3108708.474	NDR1492
		3108708.425	S1621, S1631
		3108708.433	S1821, S1831
		*3108708.201	RGE400 Upper Door Gasket
		*3108708.219	RGE400 Lower Door Gasket

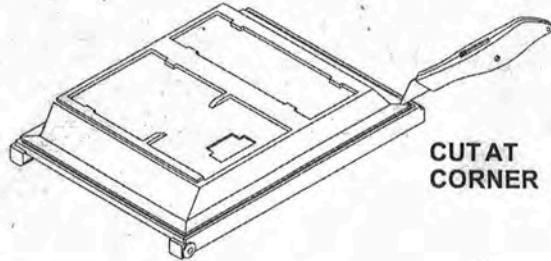
### REVISION

Form No. 3103718.098 6/03  
 (Replaces 3103718.080)  
 ©2003 Dometic Corporation  
 LaGrange, IN 46761

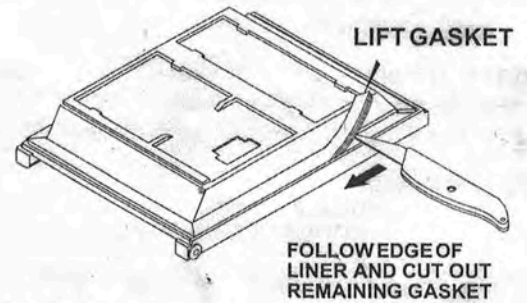


## REMOVAL OF OLD GASKET

1. Remove door completely from refrigerator.
2. Lay door on a flat surface with gasket up. Use the razor knife and cut the old gasket at a 45 degree angle in one corner.

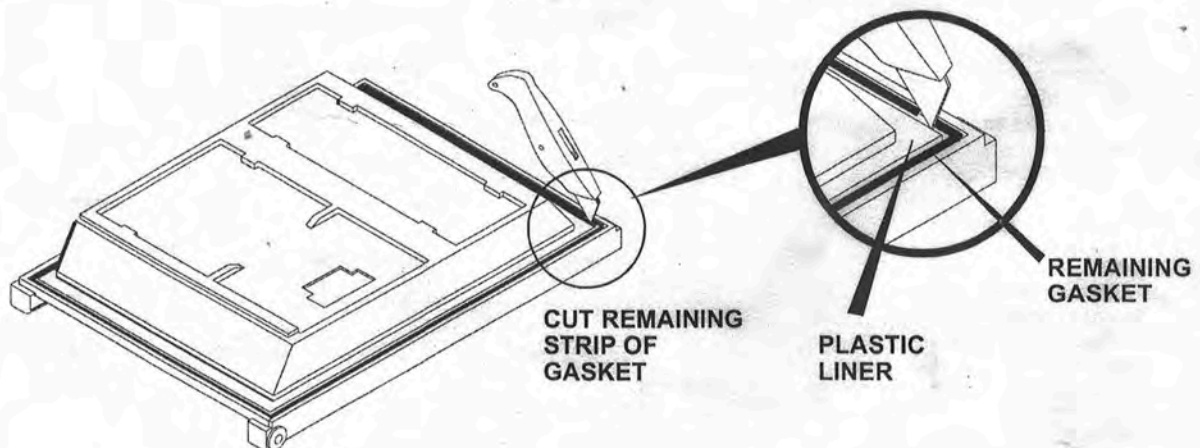


3. **GENTLY** lift gasket and cut from outside edge of the door. Cut as closely as possible to the edge of the plastic liner on all four sides.



**NOTE: DO NOT** pull gasket from door as damage to plastic liner can occur.

4. To cut the remaining strip of gasket from the door, use the razor knife and follow the edge of the plastic liner.



5. Check to make sure all the gasket is out of the liner; then clean new gasket and door with a mild glass cleaner. It is **extremely important** to **clean** the door so the new gasket will adhere properly.

## INSTALLATION OF THE NEW DOOR GASKET

1. Lay the new gasket on a clean, flat surface with the magnetic side down.
2. Use scissors to cut a 45° angle on the end of the double-stick tape. Affix tape to inner edge of gasket. Place tape all the way around the gasket – leaving approximately 1/4 inch gap at corners. (See Figure below).
3. Double-check to be sure the old gasket is completely removed from the door.

**NOTE:** If refrigerator has been in operation, it will be necessary to allow door to warm-up to room temperature (70° or above) before tape is applied to the door and gasket.

4. Apply 1/4 inch bead of sealer to the gaps on the four

corners of the new gasket. (See Figure below).

5. Remove paper from tape and install the new gasket carefully on the door.
6. Press the new gasket firmly in place to insure proper adhesion. **DO NOT disturb or reinstall door for 48 hours.**
7. Reinstall door on the refrigerator to complete the installation.

**NOTE:** If you do not get a proper seal or the door opens on its own, it may be necessary to lock the door shut for a few days. This will allow the door gasket time to shape itself to the sealing frame of the refrigerator.

APPLY SEALER TO ALL THE 1/4" GAPS AT THE CORNERS

