

## CH-27 SQB-1 Series Multi Style

**NEW**  
Upgraded features  
Available in June 2013

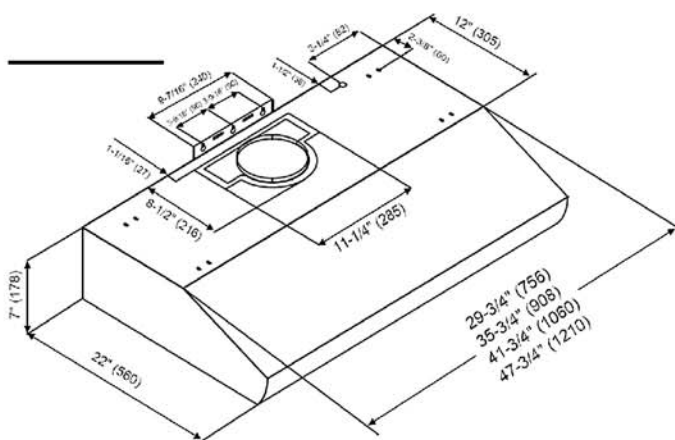
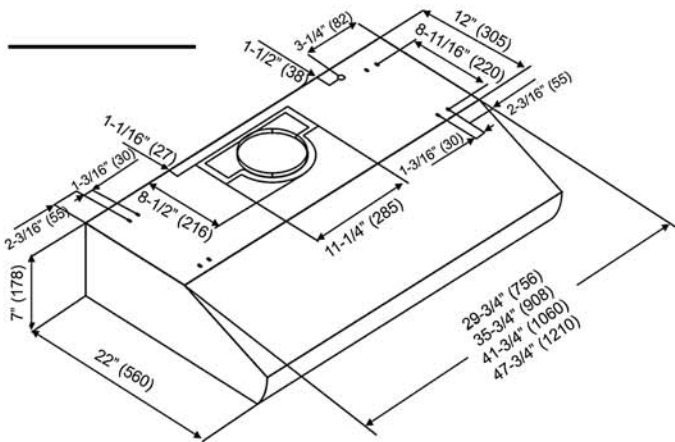


CH2736SQB-1 (36" shown)  
Wall Mount



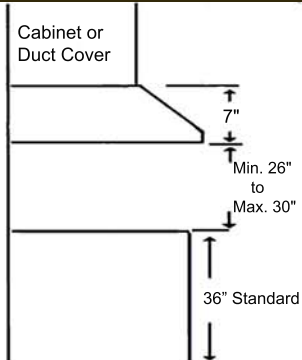
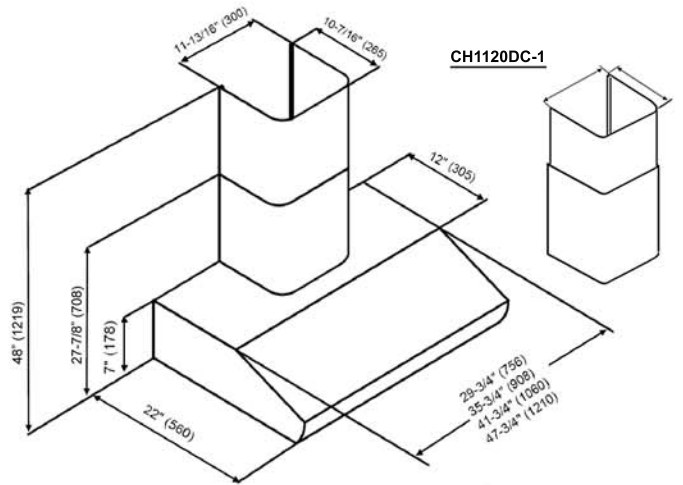
CH2730SQB-1 (30" shown)

Appearance	
Stainless Steel	
Seamless	✓
Performance	
CFM	
Sone / Decibel	
Features	
QuietMode™	
ECO Mode	™ o
LED Lights	ty
Speed	6-Speed
Control	Electronic Buttons with LED Display
Blower Type	Twin Vertical Turbine Impeller
Exhaust	Top - 6" Round, Top - 3-1/4" x 10" Rectangular Rear - 3-1/4" x 10" Rectangular
Consumption/ Ampere	30" & 36" - 232W / 2.21A 42" & 48" - 235W / 2.23A
Power Supply	120V 60Hz
Filter	Baffle
Optional Accessories	
Duct Cover	CH1120DC-1
Stainless Steel Back Splash	SSP30 (30" x 32") / SSP36 (36" x 32")



### Wall Mount (with Duct Cover)

### Duct Cover (Required)



Information subject to change without notice.